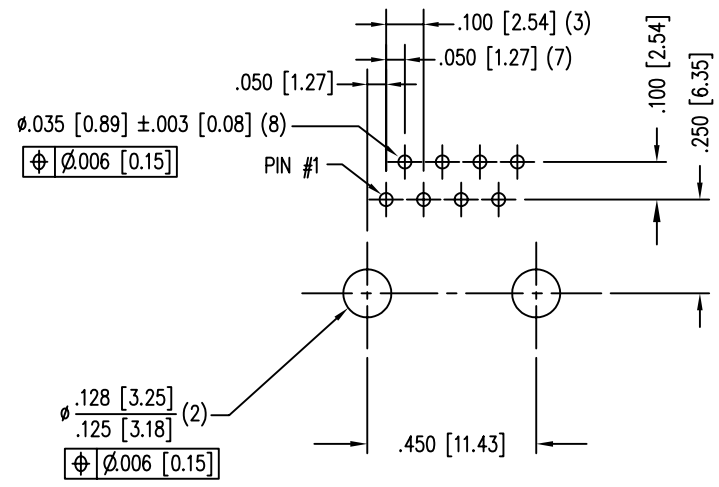
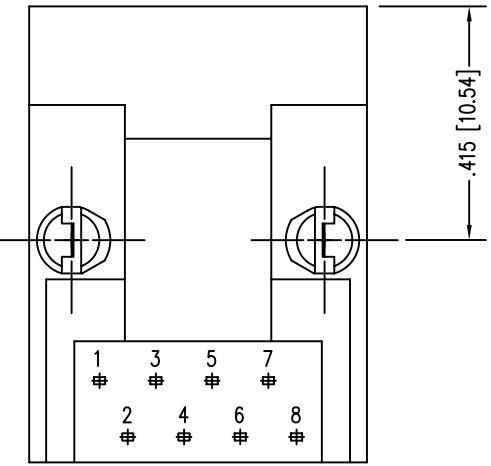
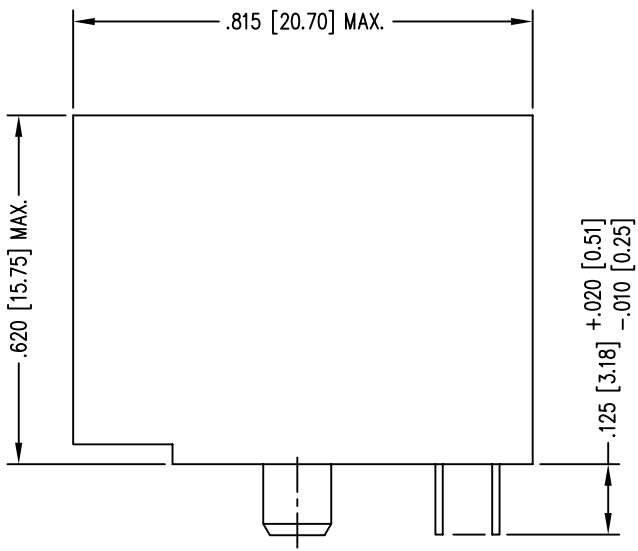
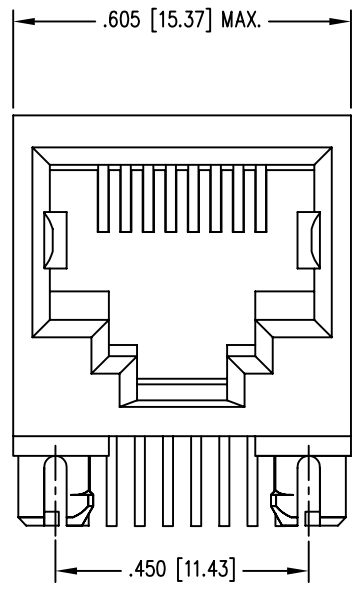


DATE	REV	ECN	APP'D. BY
02-06-03	A1	5812	RGC
7-15-05	B0	7119	DG
11-11-05	B1	7375	TRM



P.C.B. RECOMMENDED HOLE LAYOUT  
SEEN FROM COMPONENT SIDE  
ALL CENTERLINE DIMENSIONS ARE BASIC.

- NOTES:
- CONNECTOR MATERIALS:  
HOUSING: THERMOPLASTIC UL94 V-0  
CONTACTS: COPPER ALLOY  
CONTACT PLATING: SELECTIVE GOLD IN CONTACT AREA  
SEE CHART FOR PART NUMBER
  - FOR PRODUCT SPECIFICATION SEE PRO22-01
  - TOLERANCES COMPLY WITH F.C.C. DIMENSION REQUIREMENTS.



50 MICRO-INCHES [1.27um]	SS-6388-NF-50
30 MICRO-INCHES [0.76um]	SS-6388-NF
CONTACT PLATING IN MATING AREA	PART NUMBER

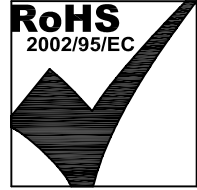
THIRD ANGLE PROJECTION

DO NOT SCALE DRAWING  
DRAWING IS SUBJECT TO  
CHANGE WITHOUT NOTICE

DIMENSIONS: INCHES [METRIC]

UNLESS OTHERWISE SPECIFIED  
TOLERANCES ARE ±.005 [0.13]  
ANGLES ARE ± 1°

SHEET NO. 1 OF 1



# Bel Stewart Connector

11118 Susquehanna Trail South  
Glen Rock, PA 17327-9199  
(717) 235-7512 Fax: (717) 235-7954

TITLE: EIGHT CONTACT, EIGHT POSITION UNSHIELDED JACK  
NON-FLANGE

THIS DRAWING AND THE SUBJECT MATTER SHOWN THEREON  
ARE CONFIDENTIAL AND THE PROPRIETARY PROPERTY OF  
STEWART CONNECTOR ("SCS") AND SHALL NOT BE  
REPRODUCED, COPIED OR USED IN ANY MANNER WITHOUT  
PRIOR WRITTEN CONSENT OF "SCS". THE SUBJECT MATTER  
MAY BE PATENTED OR A PATENT MAY BE PENDING. © SCS

DRN BY: SAR	DATE 2-6-03
APPD BY: RGC	DATE 2-24-03
DWG NO. CT630019	REV. B1